



CUSTOM SERVICE CRANE, INC.

**T 560-1**  
60 US<sup>t</sup> (54<sup>t</sup>) Lifting Capacity  
Truck Crane  
Sales Flyer  
Imperial/Metric

# T 560-1



## Highlights

The T 560-1 truck crane provides the features you want in a package that is easy to set-up at the job site and configure quickly for highway travel. On the road it is capable of travel at highway speeds making transport from job-to-job a quick and simple process.

- ▶ 60 US<sup>t</sup> (54<sup>t</sup>) maximum capacity
- ▶ 110 ft (34 m) maximum boom length
- ▶ 114 ft (34.7 m) maximum tip height
- ▶ Engine power 455 hp (336 kW)
- ▶ Travel speeds up to 65 mph (105 km/h)

## Applications

- ▶ Steel construction
- ▶ Pre-fabricated concrete construction
- ▶ Machine unloading and loading
- ▶ Plant maintenance
- ▶ Bridge and road maintenance



CUSTOM SERVICE CRANE, INC.

[www.CustomServiceCrane.com](http://www.CustomServiceCrane.com) | t: 217-897-1700 | [Randy@customservicecrane.com](mailto:Randy@customservicecrane.com)



**Maximum lifting capacity**  
60 US t (54 t)

**Main boom length**  
110 ft (34 m)

**Maximum tip height with jib**  
169 ft (51.5 m)

## Operational Ease

### Climate controlled cab

Upper cab can be configured with heat and air conditioning to fit the needs of your work environment.

### Precision control

Fully proportional electrohydraulic joysticks provide precise control of all hydraulic functions.

### Work area definition

An operator aid that provides the ability for the operator to define limits for boom rotation and height. A warning alarm sounds if the boom moves outside the defined work area.

## Strength and Power

### Full synchronous boom design

Four-section fully synchronized design that optimizes strength and delivers performance for high lift capacities at all lift radii.

### High-performance hydraulics

Three-pump system simultaneously provides independent flow to the boom, hoist and slew drive.

### Outriggers

Heavy duty outrigger systems are designed to offer outstanding stability while requiring only a small footprint.

## Serviceability

### Rotation drive

Easily maintained by remote mounted grease zerks.

### Remote mounted filters

Most filters are remote mounted for ease of access.

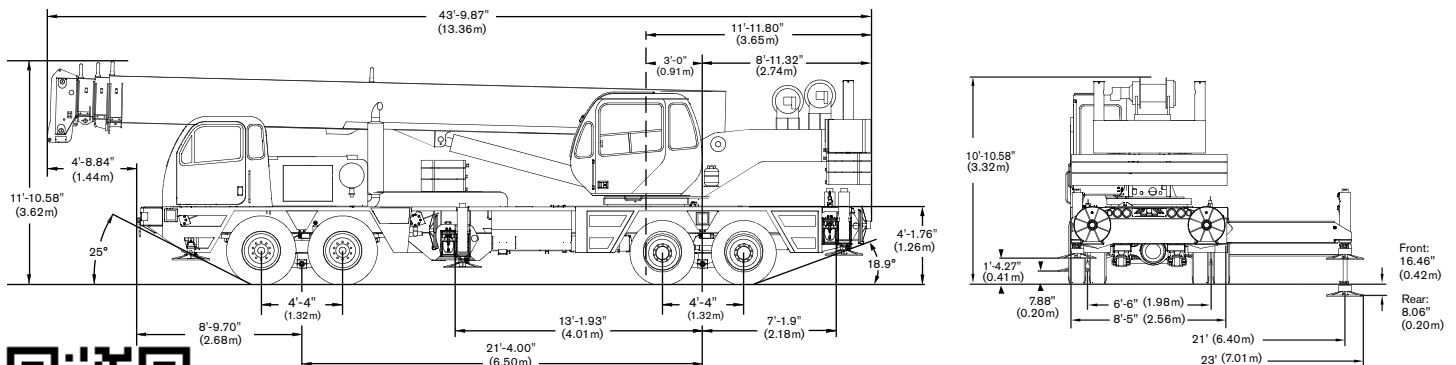
## Key Specifications

	Rated engine power	455 hp (336 kW) @ 1,800 rpm
	Hoist speed	2-speed – 266/533 ft/min (81.1/162.5 m/min)
	Maximum line pull	15,639 lb (7,093 kg)

## Optional Equipment

- Upper cab air conditioning
- Upper cab propane heat
- 7 US t (6.3 t) hook and ball
- Auxiliary boom head
- 33 ft (10.1 m) side stow lattice jib
- 33 – 57 ft (10.1 – 17.4 m) side stow lattice jib
- 60 US t (54 t) 5 sheave, quick reeving, hook block

## Dimensions



Effective Date: August 2012. Product specifications and prices are subject to change without notice or obligation. The photographs and/or drawings in this document are for illustrative purposes only. Refer to the appropriate Operator's Manual for instructions on the proper use of this equipment. Failure to follow the appropriate Operator's Manual when using our equipment or to otherwise act irresponsibly may result in serious injury or death. The only warranty applicable to our equipment is the standard written warranty applicable to the particular product and sale and Terex makes no other warranty, express or implied. Products and services listed may be trademarks, service marks or trade-names of Terex Corporation and/or its subsidiaries in the USA and other countries. All rights are reserved. Terex is a registered trademark of Terex Corporation in the USA and many other countries. Copyright 2012 Terex Corporation.

Terex Cranes, Global Marketing, Dinglerstraße 24, 66482 Zweibrücken, Germany  
Tel. +49 (0) 6332 830, Email: info.cranes@terex.com, www.terexcranes.com



# CUSTOM SERVICE CRANE, INC.

www.CustomServiceCrane.com | t: 217-897-1700 | Randy@customservicecrane.com